

Dance Notation Bureau

Music Begins

Mem'ries
 light cur of
 the hers my mind
 mis wa col
 ty ter or

8

7

6

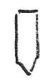
5



Shrug, oh well,
what's there to do?

Spread tie. Show
its profile.

Show 1st tie

 = tie as seen
by audience

Dance Notation Bureau

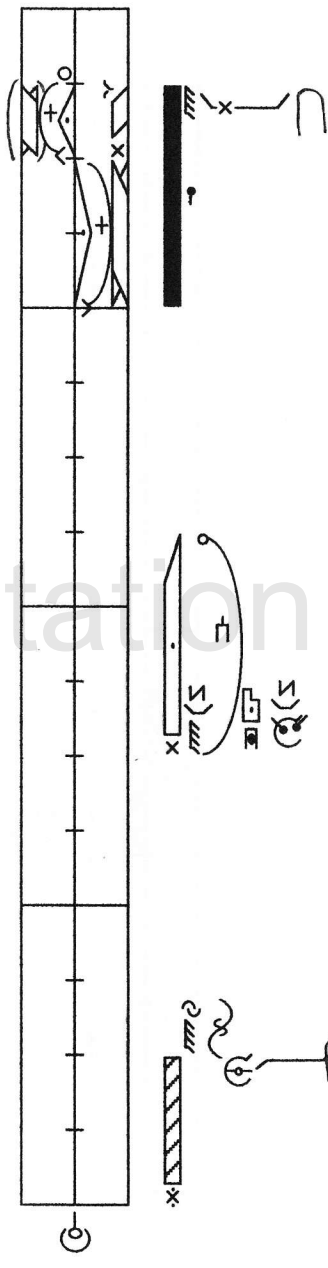
Mem ties
 of the way we were
 scattered

12

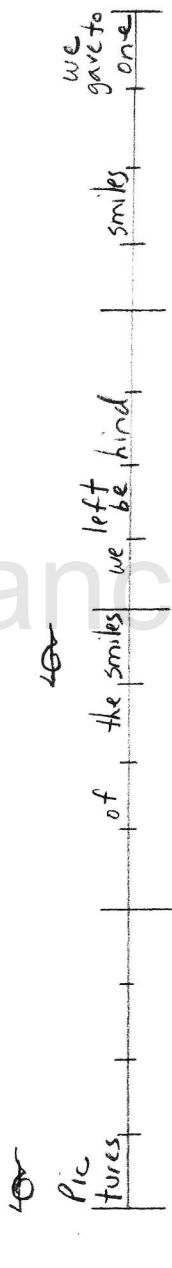
11

10

9



Oh, I'll just put it here.

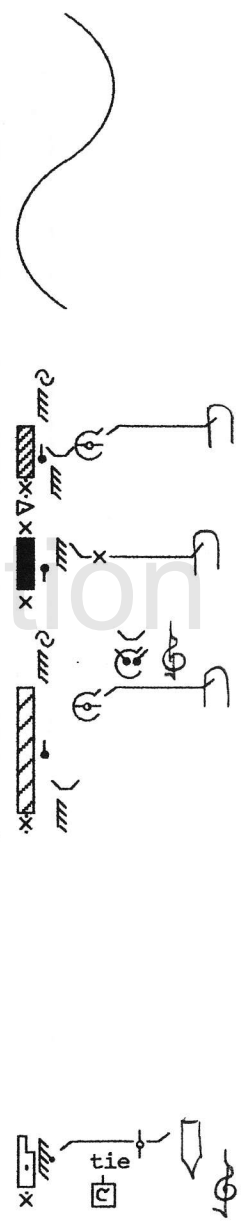
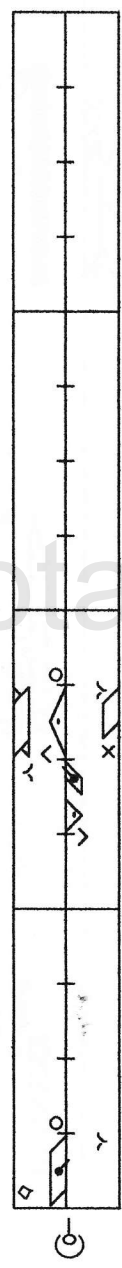


16

15

14

13



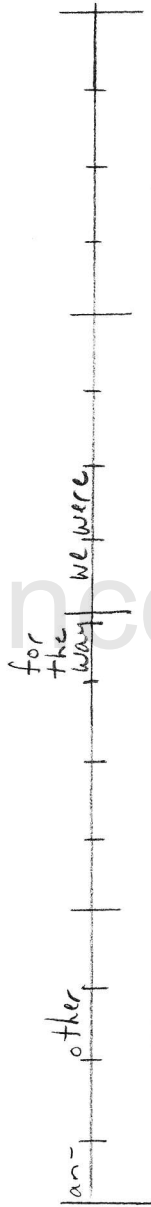
Continue putting ties on head, one at a time.

Smile, thinking of memories.

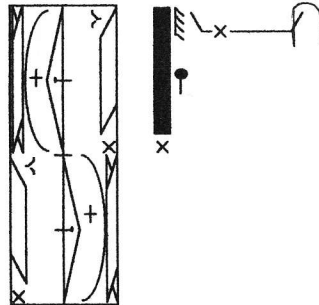
Sread tie to put it on head.

Drape tie over hand and hold it in front of you to look at it.

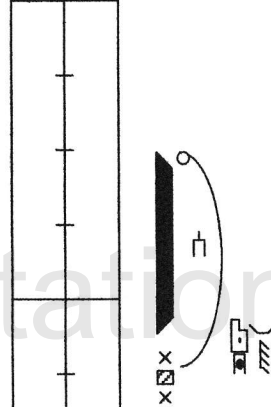
Dance Notation Bureau



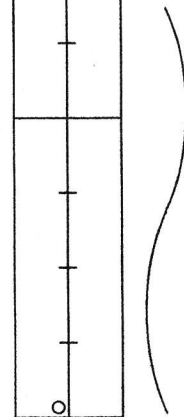
20



19



18



17



An empty handed gesture.

can be it all sim then
 it that was so ple then
 or time writ-
 ten has ten
 every line >

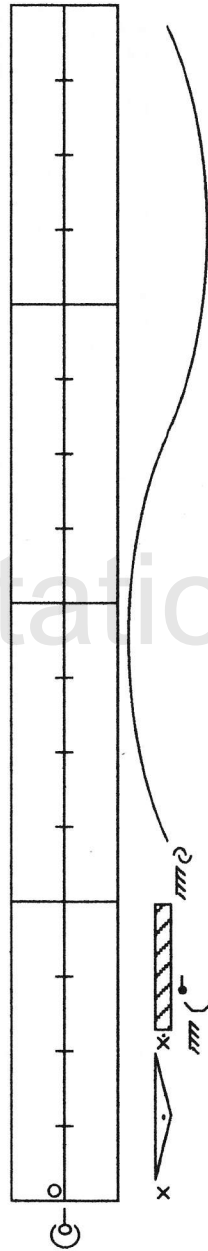
24

23

22

21

田



Continue putting ties
 on head, one at a time.

